

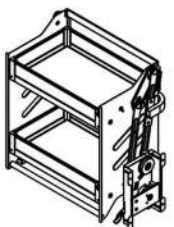


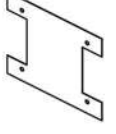
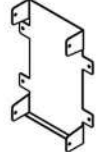
ELITE Bistro Pull Down 2-Tier Wall Cabinet

for a 600mm or 900mm Cupboard

ELITE®

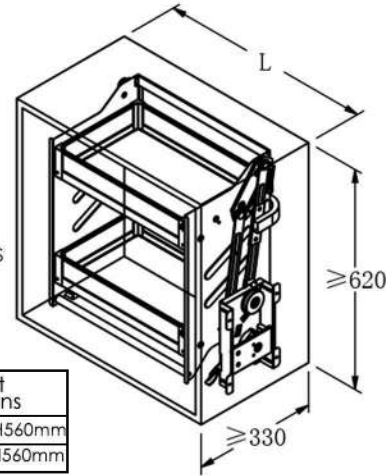
STORAGE SOLUTIONS

Package inclusions:

① basket	② ST4*14	③ M5*8	④ paper card	*adjustable accessories
1 pc	8 pcs	8 pcs	1 pc	2 pcs
				
<p>**Note: Can adjust and add extra 0 to 50mm width to the product for installation</p>				

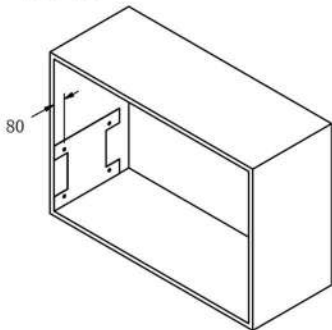
Product Size:

- Note:
- Please read the instructions carefully before installation
 - Recommended cabinet wall thickness is between 16-18mm

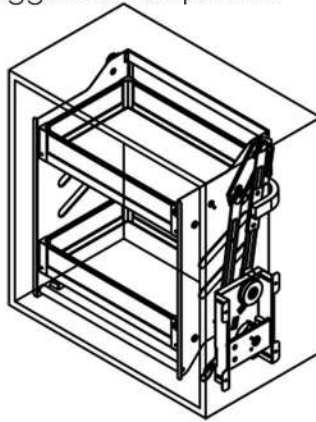


Cabinet Width	Product dimensions
600mm	W564 x D305 x H560mm
900mm	W864 x D305 x H560mm

STEP 1: Use the paper card as a guide to align the door edge and punch holes Ø3*10

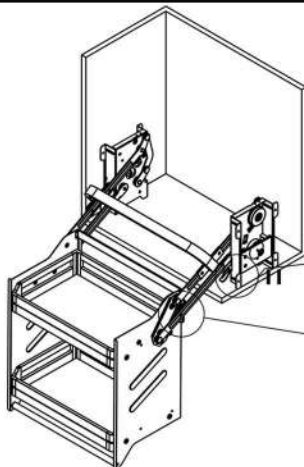
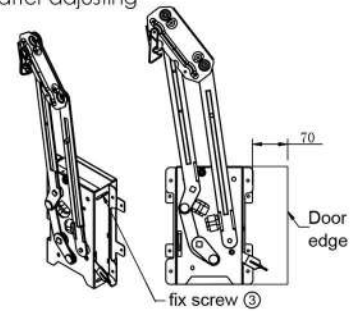


STEP 2: Install the basket and affix screws. For better results, two people are suggested to operate.



Adjustable accessories (optional)

- If the cabinet internal width are more than 564mm (for 600mm version) or 864mm (for 900mm version), please use the adjustable part which will accommodate width up to 614mm or 914mm
- Measure the cabinet size first then fix with screw after adjusting



Gear 2
- located at the top
- loading capacity is 4KG

Gear 1
- located at the bottom
- loading capacity is 10KG

This shelf has a lock block. Two clicks will be heard as you pull it down.

The first click is for the lock block, which stops the basket.

The second click will be heard as the block gets unlocked when you pull down the basket further. This enables you to push back the basket in its resting position.