


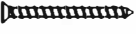





# Domestique 68L Twin / Triple Slide Out Concealed Waste Bin - for a 600mm Cupboard



## Contents List

	Item Name	Image	Quantity
1	Saddle Brackets		4 PCS
2	PA4X16		16 PCS
3	PA4X25		6 PCS
4	KA4X50		4 PCS
5	KA4X60		4 PCS
6	Side Stabiliser		4 PCS
7	Nuts & Bolts for Door Mount Kit		6 PCS
8	Fixings to mount door	See Step 3	

## Models

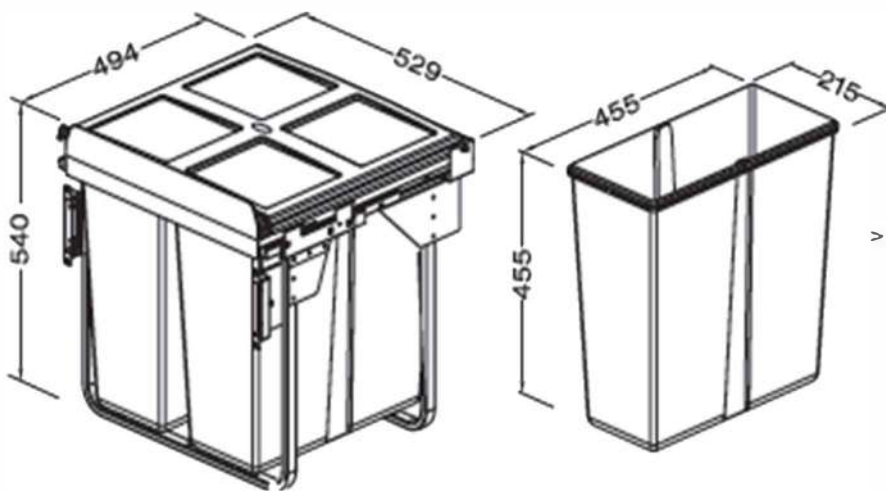
### ELITEPOB-600-2-0219-D

- Twin 68L pull-out – 2 x 34L
- Suits standard 600mm wide cabinet (external)
- Includes optional door mount kit to attach frame to cabinet door
- 25kg weight limit

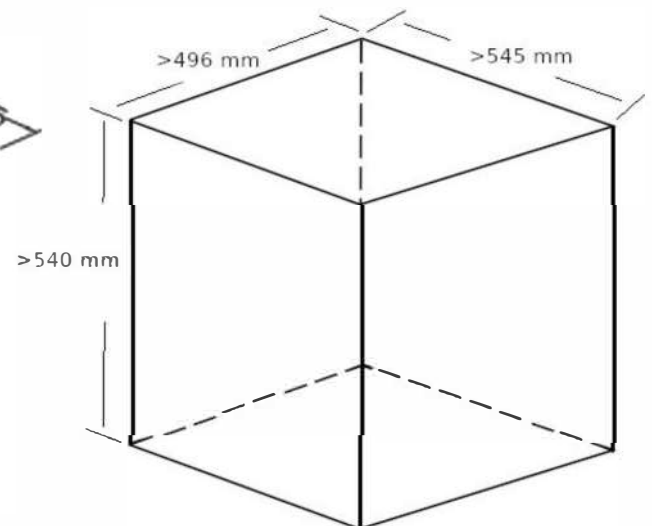
### ELITEPOB-600-3-0499-D

- Triple 68L pull-out – 1 x 34L + 2 x 17L
- Suits standard 600mm wide cabinet (external)
- Includes optional door mount kit to attach frame to cabinet door
- 25kg weight limit

## Dimensions



Unit Dimensions

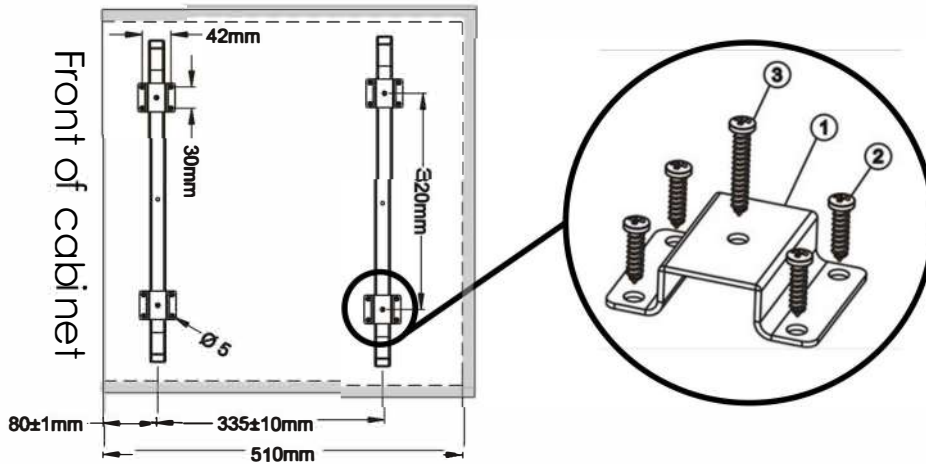


Minimum Cabinet Interior Dimension Requirements

# Domestique 68L Twin / Triple Slide Out Concealed Waste Bin - for a 600mm Cupboard

# ELITE KITCHEN SOLUTIONS

## STEP 1: Mount frame to cabinet base



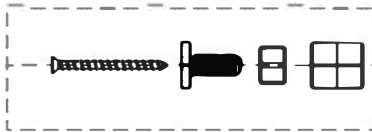
Position frame on cabinet floor (see diagram)

Affix saddles (1) to frame using screws (2) and screws (3) – (see diagram)

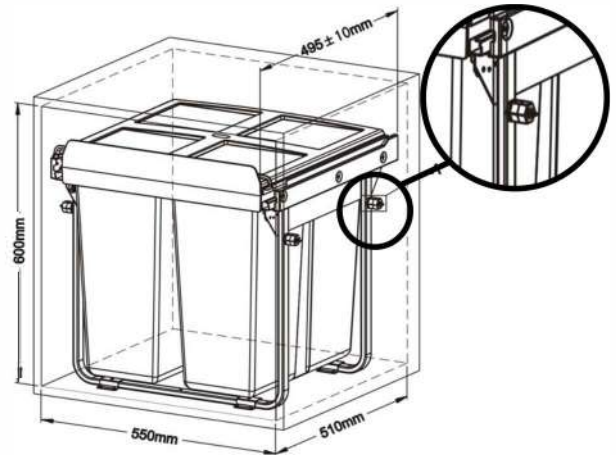
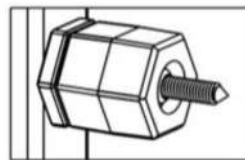
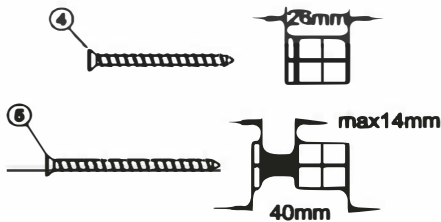
## STEP 2: Affixing side stabilisers (optional)

NOTE: It is recommended to install the stabilisers to enhance the stability of the installed product

Adjust the stabiliser width to suit cabinet width.



Attach stabiliser to frame using part 4 or part 5 screw to suit cabinet



## STEP 3: Affixing door (optional)

Mounting the cabinet door to the frame allows the bin set to slide out when the cabinet door is pulled out. The optional door mount kit is included in the box.

- Affix each door mount to the bin frame using the three nuts and bolts pre-installed on each side of frame front.
- Affix the door brackets to the back of the cabinet door so that they will align with the door mounts on frame.
- Attach door mounts to the door brackets.
- If required, you can make horizontal, vertical and tilt adjustments to fine tune the alignment of the cabinet door by loosening and tightening the screws/bolts as pictured.

Position door brackets

Attach door to mount

