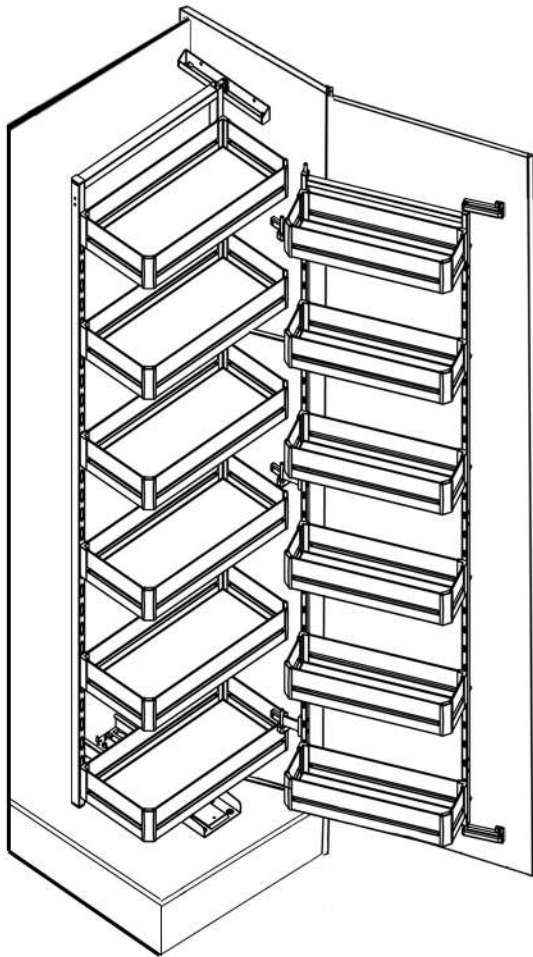


# ELITE Nero Open Out Pantry for 450mm or 600mm Cabinet

ELITEOOP2-N450VH-1396 / ELITEOOP2-N600VH-1397

**ELITE**<sup>®</sup>  
STORAGE SOLUTIONS



## Features

- Dark grey basket style
- Aluminium with MDF wooden basket
- Anti-slip mats on each basket
- Soft close runners
- Universal fitting allows left and right swing installation
- Two widths to suit standard cabinet widths: 450mm and 600mm
- Overall Frame height of 1680mm (Min. internal cabinet height of 1700mm)
- Adjustable shelf positions
- 54kg total payload (Each basket can bear 9kg weight)
- Split storage - front and rear shelves - Rear shelves slide forward

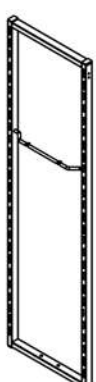



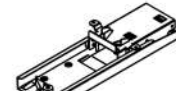


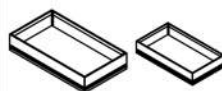





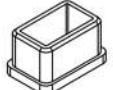



## Note:

Shelf style in diagram may differ from your model

Maximum opening angle of cabinet hinge is 110°

The illustrations are for installation to a right-opening cabinet. For a left-opening cabinet, reverse frame orientation and bracket/accessory placement.

## List of key parts

A 1 pc 	B 1 pc 	C 3 pcs 	D 1 pc 	E 1 pc 	G 2 pcs 		
		H 17 pcs 	IA 6 pcs IB 6 pcs 	J 3 pcs 	L 1 pc 		
		M 2 pcs 	N 1 pc 	O 4 pcs 	P 4 pcs 	Q 6 pcs 	F 2 pcs 
Tools needed (not included)							
							

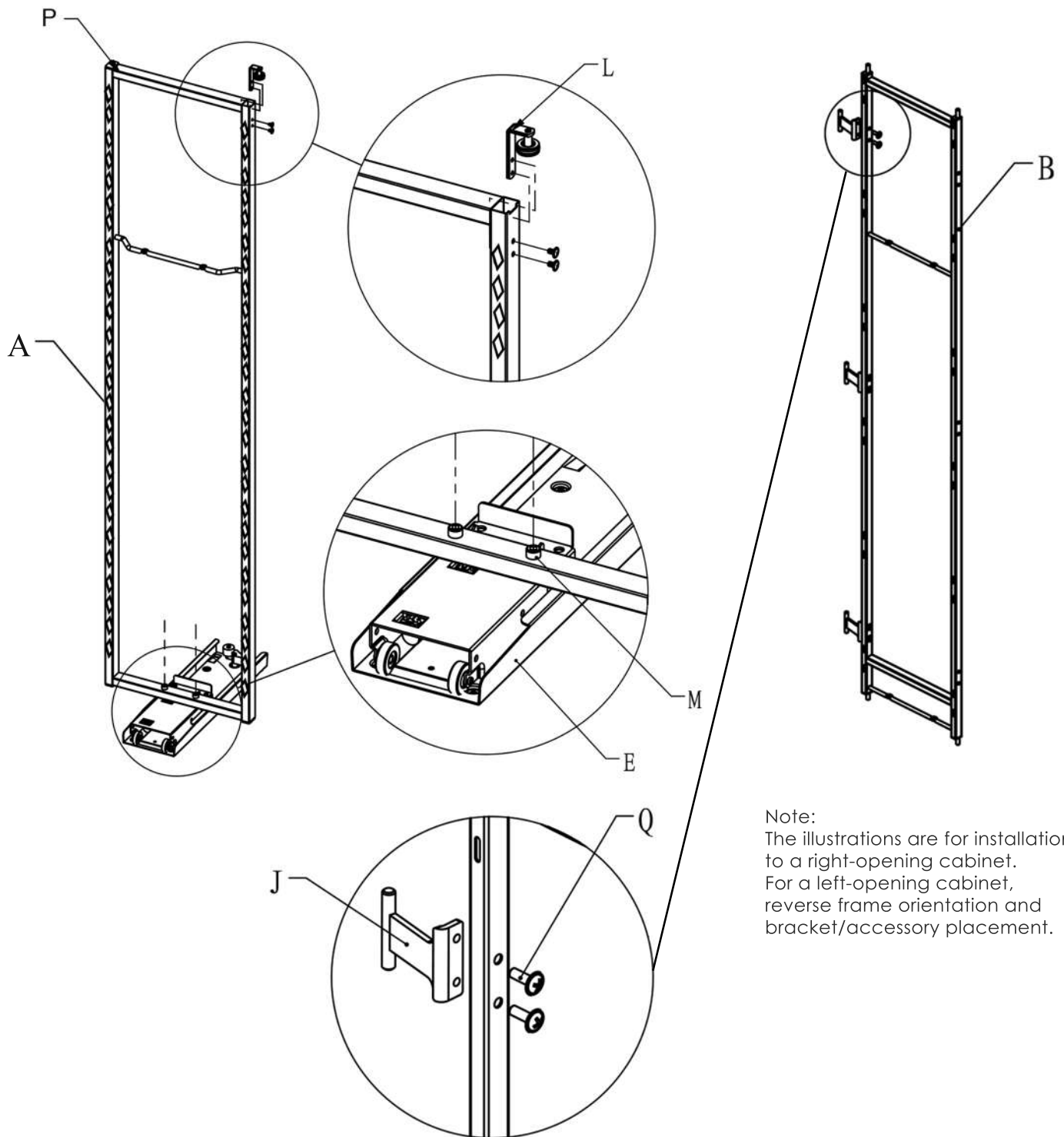
# ELITE Nero Open Out Pantry for 450mm or 600mm Cabinet

ELITEOOP2-N450VH-1396 / ELITEOOP2-N600VH-1397

**ELITE**<sup>®</sup>  
STORAGE SOLUTIONS

## STEP 1

Connect Frame A to runner E. Affix parts L and P to frame A, and part J to frame B.



Note:  
The illustrations are for installation  
to a right-opening cabinet.  
For a left-opening cabinet,  
reverse frame orientation and  
bracket/accessory placement.

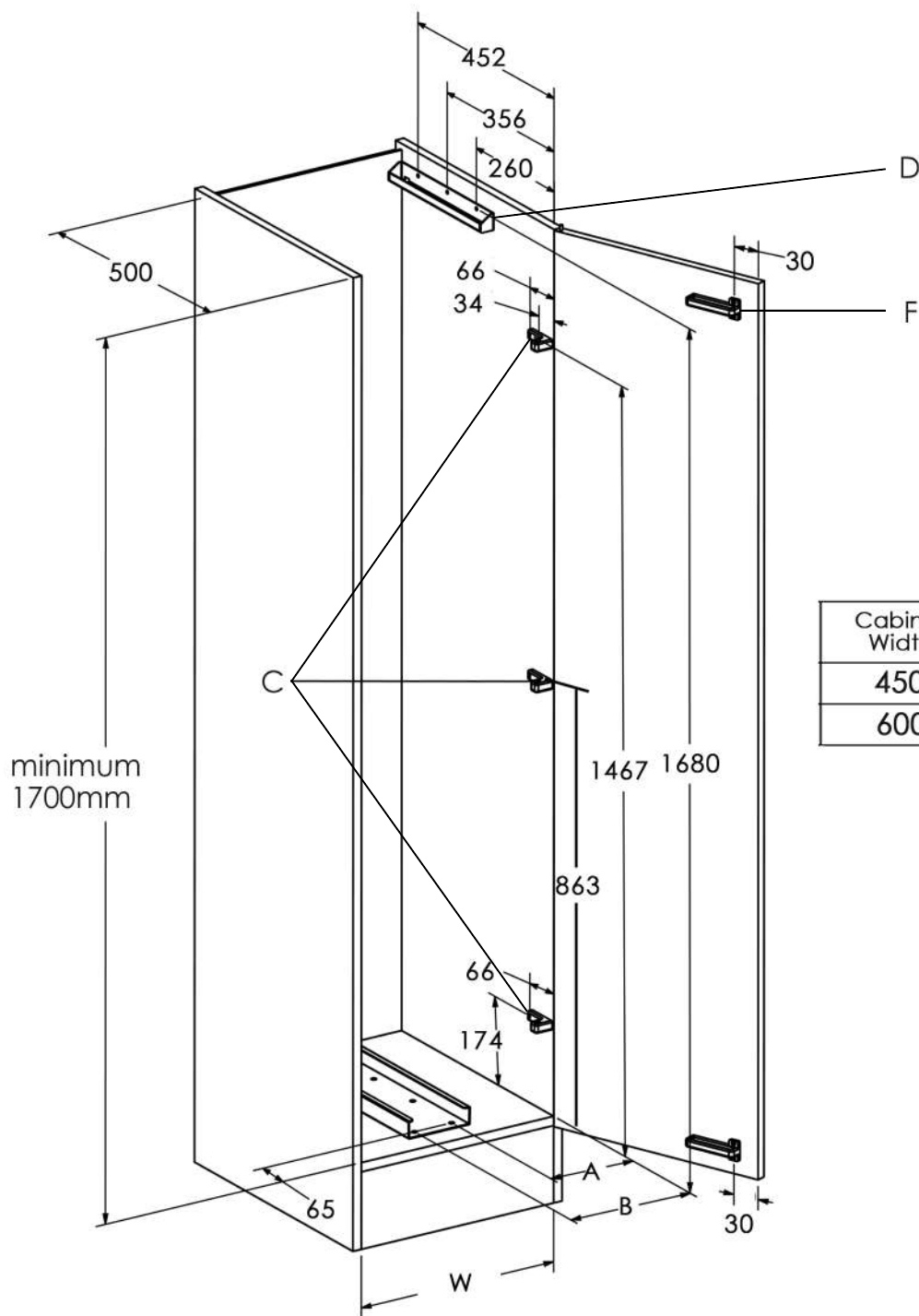
# ELITE Nero Open Out Pantry for 450mm or 600mm Cabinet

ELITEOOP2-N450VH-1396 / ELITEOOP2-N600VH-1397



## STEP 2

Affix base runner and hardware to the internal cabinet wall and door panel.



Cabinet Width	W	A	B
450	414	169	265
600	564	244	340

# ELITE Nero Open Out Pantry for 450mm or 600mm Cabinet

ELITEOOP2-N450VH-1396 / ELITEOOP2-N600VH-1397

**ELITE**<sup>®</sup>  
STORAGE SOLUTIONS

## STEP 3

1) Install assembled frame (A) onto base runner (E) with guide wheel (L) inside guide rail (D).

2) Install assembled frame (B) onto cabinet door with affixed bracket (F).

3) Connect the two hinge arms (G) to the horizontal brace of frames (A) and (B), using the mounting holes on the frames that are closest to the cabinet door.

4) Attach the baskets onto the frames.

