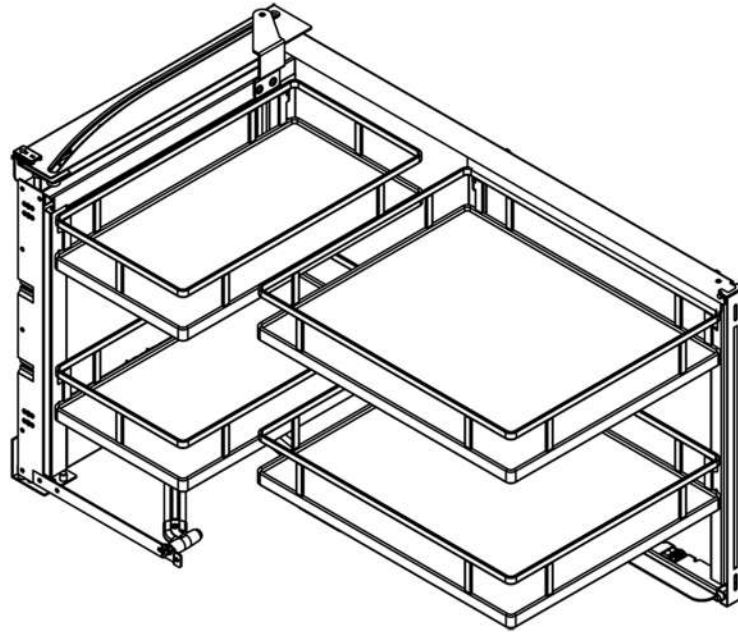


ELITE Magic Corner Pull Out Kitchen Corner Storage

Left Side Opening



Basket Options:

	Larder	Chef	Bistro	Provedore	Galley
2pcs					
2pcs					

Included Parts:

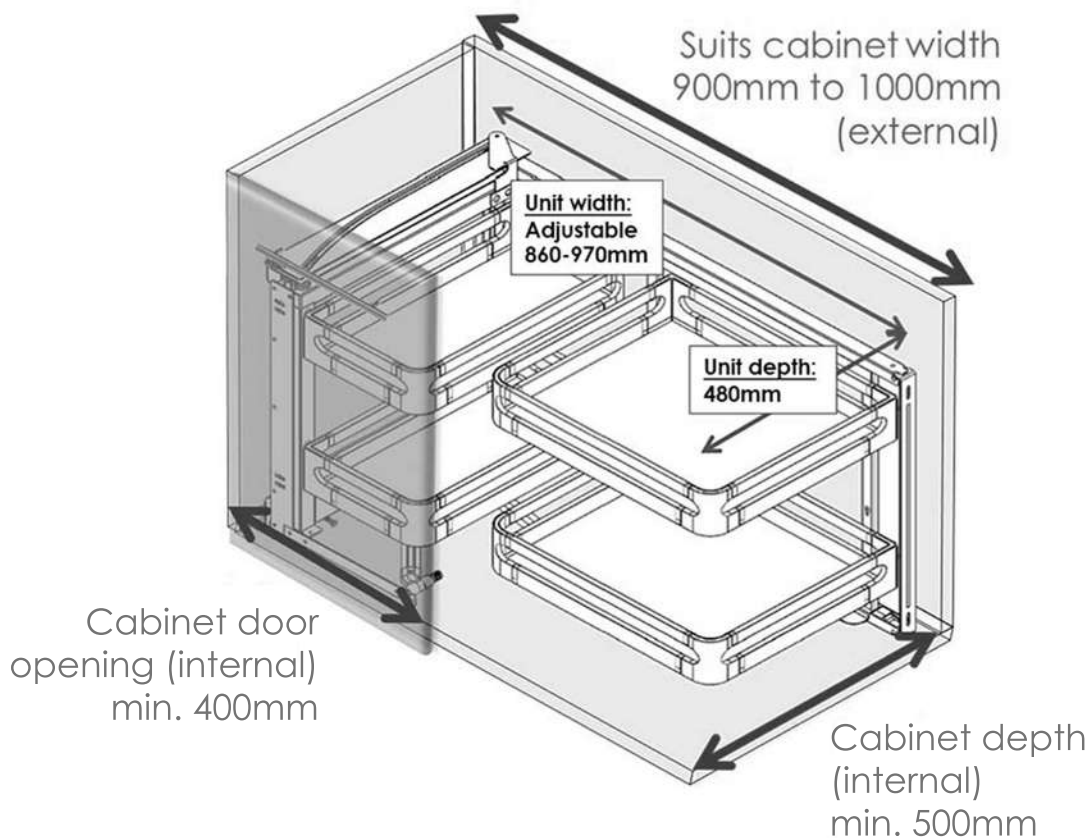
A 1pc 	B 1pc 	C 1pc 	D 1pc 	E 1pc 	F 1pc 	G 2pcs
H 2pcs 	I 2pcs M5*16 	J 1pc 	K 8pcs only provided with Provedore baskets 	L 20pcs ST4*14 	M 1pc 	N 20pcs ST4*14

ELITE Magic Corner Pull Out Kitchen Corner Storage Left Side Opening

ELITE[®]
STORAGE SOLUTIONS

Cabinet Requirements:

The product is designed to fit standard Australian cabinet sizes and has flexibility to adjust for variances. See the diagram below for minimum measurement requirements.



ELITE Magic Corner Pull Out Kitchen Corner Storage

Left Side Opening

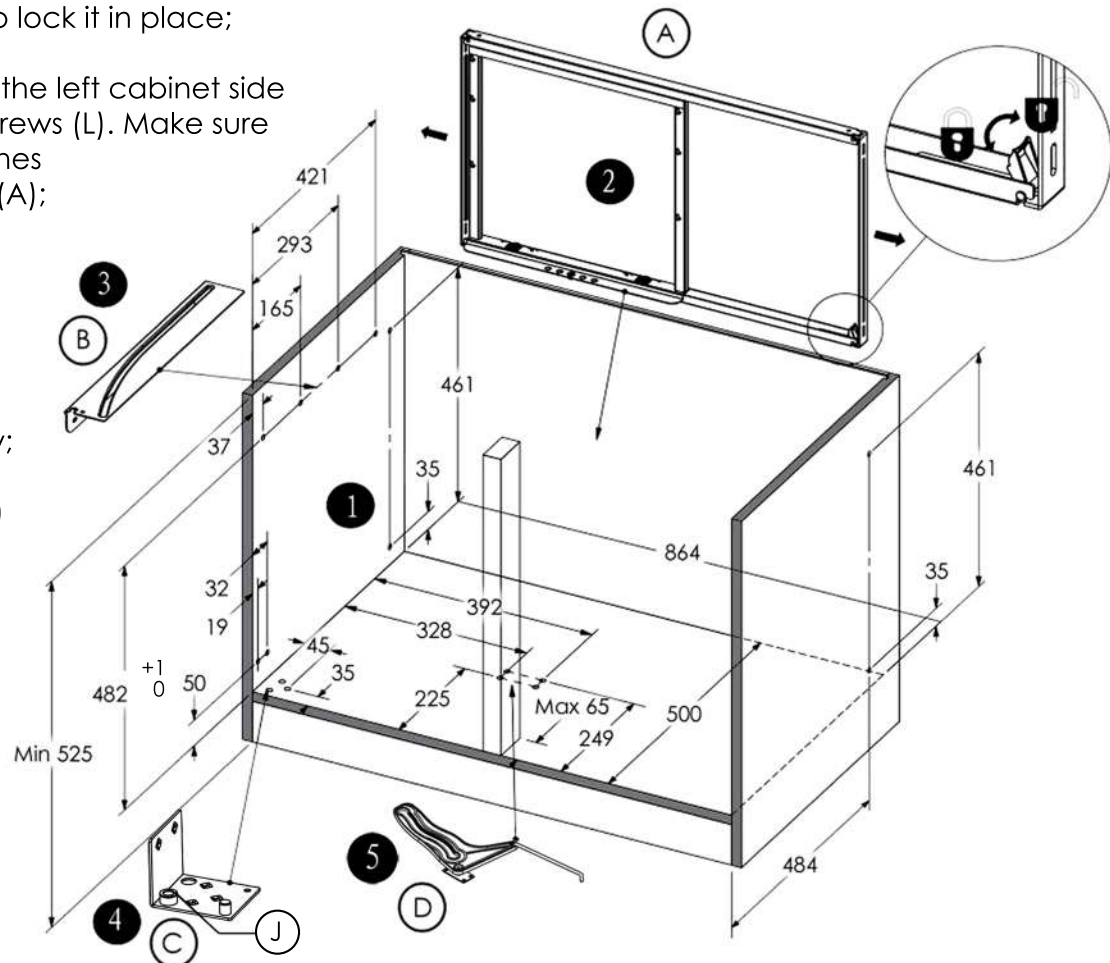
ELITE
STORAGE SOLUTIONS

STEPS 1-5

1. Pre-drill pilot holes into internal cabinet using templates for mounting components. The product contains user-friendly paper templates to assist the installer pre-drill holes for accurate positioning of the affixed components using a small gauge drill bit.
 - 1.1. Left inside cabinet wall – Find the large template marked ① and tape the template to the inside left wall of the cabinet flush with front edge as per the diagram on the template. Drill the holes marked on the template at positions A, B, and C as marked on the template.
 - 1.2. Cabinet base – Find the large template marked ② and tape to the cabinet base flush with the front edge and corner as per the diagram on the template. Drill the holes on the template at position D as marked on the template.
 - 1.3. Right inside cabinet wall – Find the large template marked ③ and tape the template to the inside right wall of the cabinet flush with front edge as per the diagram on the template. Drill the holes marked on the template at position A as marked on the template.

Using the pre-drilled pilot holes, securely affix using screws:

2. The back sliding frame (A) to the left and right cabinet side panels using 4pcs of screws (L). Ensure its security lever is turned down to lock it in place;
3. The guide plate (B) to the left cabinet side panel using 8pcs of screws (L). Make sure the guide plate attaches to the installed frame (A);
4. The corner fixing plate (C) to the left front bottom corner of the cabinet using 5pcs of screws (N), then fix part (J) accordingly;
5. The swing drawbar (D) on the base of the cabinet using 4pcs of screws (N).



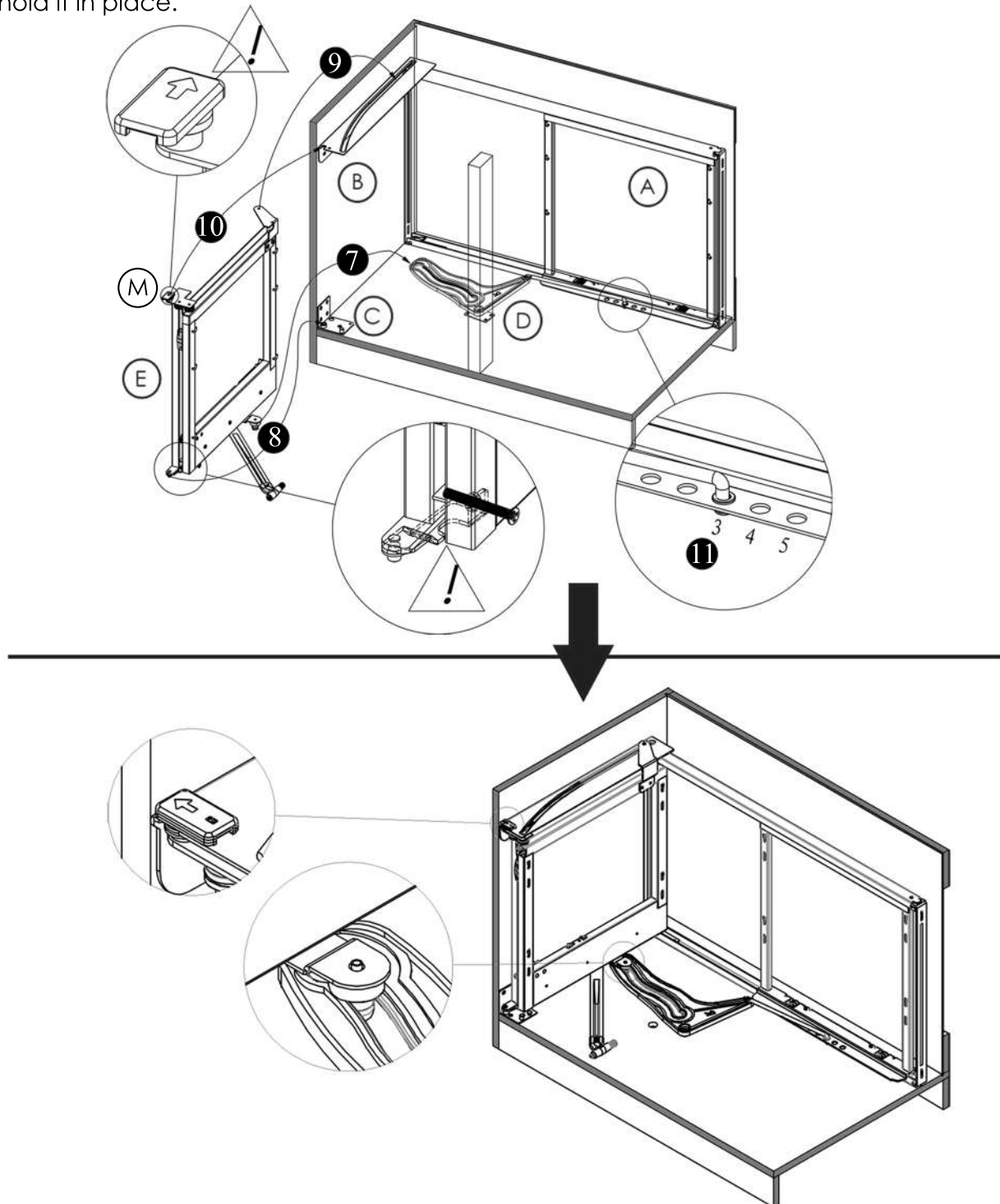
ELITE Magic Corner Pull Out Kitchen Corner Storage

Left Side Opening

ELITE[®]
STORAGE SOLUTIONS

STEPS 7-11

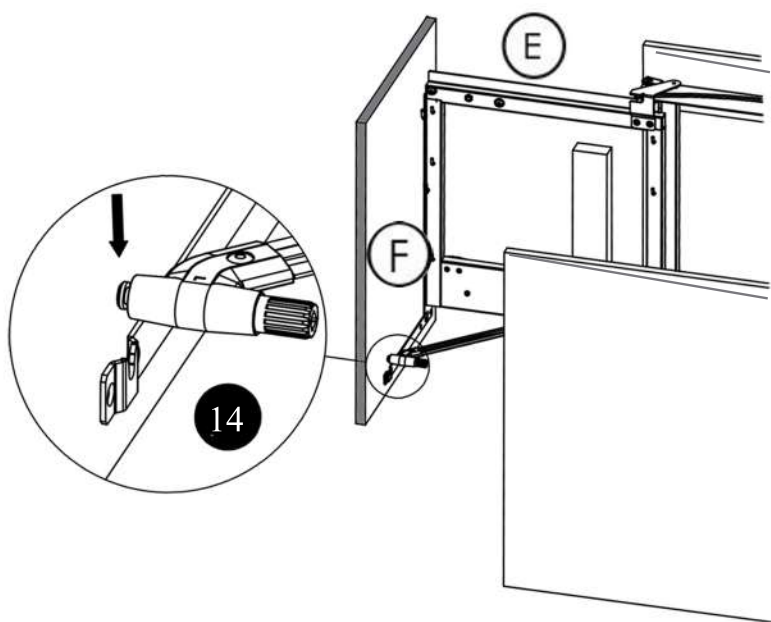
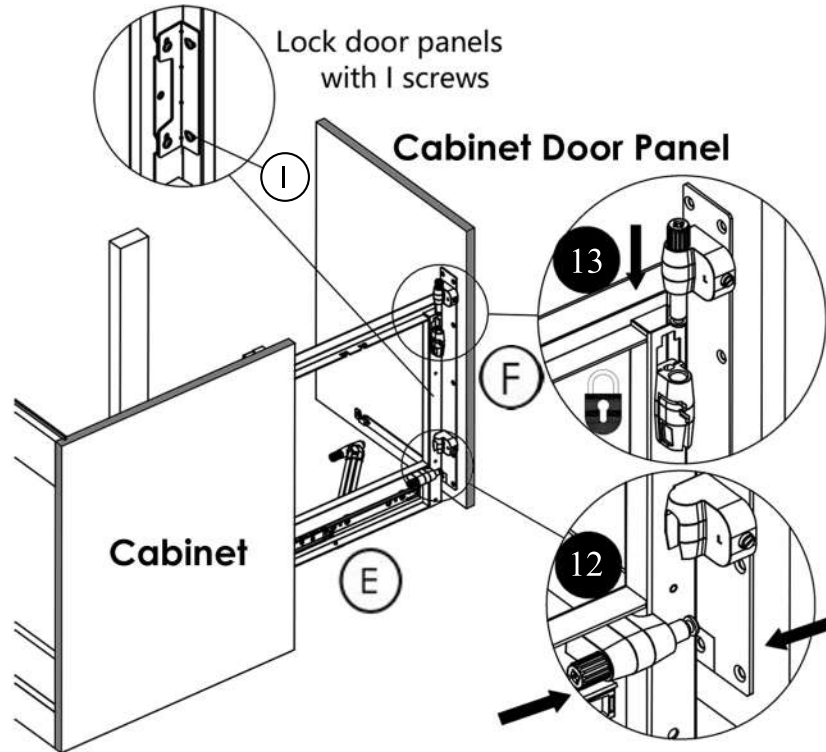
7. Connect the drawbar peg on the swing frame (E) to the other end of the swing drawbar (D).
8. Insert the rotation shaft of (E) into the outermost hole on the affixed corner fixing plate (C).
9. Glide the drawbar cover at the top portion of (E) onto the groove along the guide plate (B).
10. Place the rotation shaft cover (M) on the outer corner of (E). Lock it in by rotating (M) 90 degrees.
11. Move the sliding part of (A) to connect with the other end of (D). Place a pin on the 3rd hole to hold it in place.



ELITE Magic Corner Pull Out Kitchen Corner Storage Left Side Opening

STEPS 12-14

12. Extend the swing frame (E) out and attach its lower peg to the door connector (F) attached to the cabinet door panel.
13. Repeat Step 12 on the upper portion of (E) and (F).
14. Connect the movable lever on (E) to (F) as shown in the diagram.



ELITE Magic Corner Pull Out Kitchen Corner Storage Left Side Opening

ELITE[®]
STORAGE SOLUTIONS

STEPS 15-16

15. Calibrate all the connections of the door frame to the internal cabinet frame using the adjustable screws (E).
16. Adjust the screw on the corner fixing plate (C) to control the angle opening of (E).

